

## SMD LED

**BL-LS5730A1S1UWC-0.5W**

### Features:

- SMD LED , 5.7mmx3.0mm SMD, 0.8mm THICKNESS
- Longer service and less luminosity loss, 50,000hours
- Different emitting colors are available Working current: 100-150mA
- With or without heat sink are both available
- PACKAGE: 3000PCS/REEL

### Applications:

Commercial lighting  
Residential lighting  
Decorative lighting



### Electrical-optical characteristics: (Ta=25°C) (Test Condition: IF=150mA)

Part Number	Chip		Lens Type	Forward Voltage(VF) Unit:V		Flux Unit:lm		Viewing Angle 2θ1/2 (deg)
	Emitted Color	λ <sub>p</sub> (nm) or CTT		Typ	Max	Min.	Typ.	
				BL-LS5730A1S1UWC-0.5W	Ultra White	-	yellow	

### Absolute maximum ratings (Ta=25°C)

Parameter	Rating	Unit
Forward Current I <sub>F</sub>	150	mA
LED Junction Temperature	120	°C
Peak Forward Current I <sub>PF</sub> (Duty 1/10 @1KHZ)	500	mA
Operation Temperature T <sub>OPR</sub>	-40 to +80	°C
Storage Temperature T <sub>STG</sub>	-40 to +100	°C
Aluminum-Core Pcb Temperature	105	°C

**SMD LED**

**BL-LS5730A1S1UWC-0.5W**

**BIN CODE SYSTEM  
SELECTION CODE FOR Luminous Flux**

Group	brightness(lm)		Group	brightness(lm)	
	min	max		min	max
C1	30	40			
C2	40	50			
C3	50	60			

tolerance of measurement of luminous intensity is  $\pm 15\%$

**forward voltage Ranks**

Group	Voltage (V)		Group	Voltage (V)	
	min	max		min	max
F	2.8	3	K	3.6	3.8
G	3	3.2	L	3.8	4
H	3.2	3.4			
J	3.4	3.6			

**forward voltage Ranks**

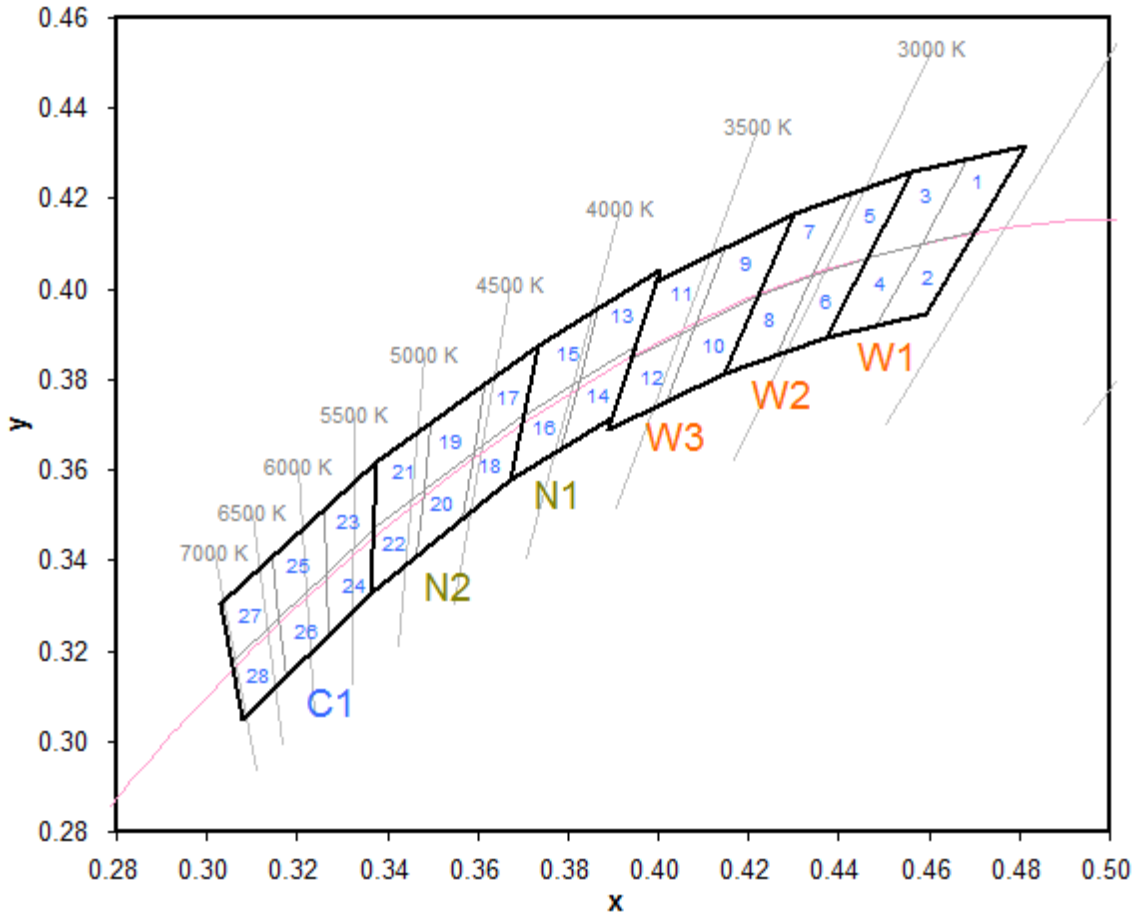
Group	Voltage (V)		Group	Voltage (V)	
	min	max		min	max
F0	2.8	2.9	K0	3.6	3.7
F1	2.9	3	K1	3.7	3.8
G0	3	3.1	L0	3.8	3.9
G1	3.1	3.2	L1	3.9	4
H0	3.2	3.3			
H1	3.3	3.4			
J0	3.4	3.5			
J1	3.5	3.6			

tolerance of measurement of forward voltage is  $\pm 0.05v$

**SMD LED**

**BL-LS5730A1S1UWC-0.5W**

**Color Temperature BIN**



	X	Y
W1	0.4373	0.3893
	0.4562	0.4260
	0.4813	0.4319
	0.4593	0.3944
	X	Y
W2	0.4147	0.3814
	0.4299	0.4165
	0.4562	0.4260
	0.4373	0.3893
	X	Y
W3	0.3889	0.3690
	0.3996	0.4015
	0.4299	0.4165
	0.4147	0.3814

	X	Y
N1	0.3670	0.3578
	0.3736	0.3874
	0.4006	0.4044
	0.3898	0.3716
	X	Y
N2	0.3481	0.3557
	0.3376	0.3616
	0.3592	0.3641
	0.3670	0.3578
	X	Y
C1	0.3160	0.3274
	0.3028	0.3304
	0.3265	0.3371
	0.3364	0.3328

CODE	x	y	CODE	x	y	CODE	x	y	CODE	x	y
1	0.4582	0.4099	8	0.4147	0.3814	15	0.3702	0.3722	22	0.3481	0.3557
	0.4687	0.4289		0.4221	0.3984		0.3736	0.3874		0.3370	0.3472

**SMD LED**

**BL-LS5730A1S1UWC-0.5W**

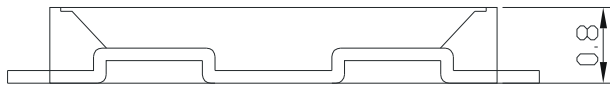
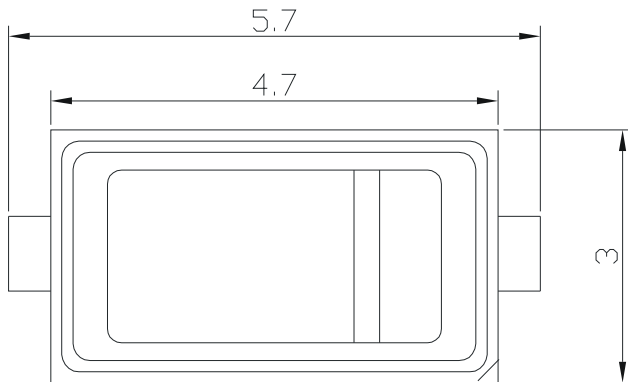
	0.4813	0.4319		0.4342	0.4028		0.3869	0.3958		0.3364	0.3328
	0.4700	0.4126		0.4259	0.3853		0.3825	0.3798		0.3466	0.3411
2	0.4483	0.3919	9	0.4080	0.3916	16	0.3670	0.3578	23	0.3376	0.3616
	0.4582	0.4099		0.4146	0.4089		0.3702	0.3722		0.3260	0.3512
	0.4700	0.4126		0.4299	0.4165		0.3825	0.3798		0.3265	0.3371
	0.4593	0.3944		0.4221	0.3984		0.3783	0.3646		0.3370	0.3472
3	0.4465	0.4071	10	0.4017	0.3751	17	0.3736	0.3874	24	0.3370	0.3472
	0.4562	0.4260		0.4080	0.3916		0.3616	0.3788		0.3265	0.3371
	0.4687	0.4289		0.4221	0.3984		0.3592	0.3641		0.3270	0.3230
	0.4582	0.4099		0.4147	0.3814		0.3703	0.3726		0.3364	0.3328
4	0.4373	0.3893	11	0.3941	0.3848	18	0.3703	0.3726	25	0.3260	0.3512
	0.4465	0.4071		0.3996	0.4015		0.3592	0.3641		0.3144	0.3408
	0.4582	0.4099		0.4146	0.4089		0.3568	0.3495		0.3160	0.3274
	0.4483	0.3919		0.4080	0.3916		0.3670	0.3578		0.3265	0.3371
5	0.4342	0.4028	12	0.3889	0.3690	19	0.3616	0.3788	26	0.3265	0.3371
	0.4430	0.4212		0.3941	0.3848		0.3496	0.3702		0.3160	0.3274
	0.4562	0.4260		0.4080	0.3916		0.3481	0.3557		0.3175	0.3139
	0.4465	0.4071		0.4017	0.3751		0.3592	0.3641		0.3270	0.3230
6	0.4259	0.3853	13	0.3825	0.3798	20	0.3592	0.3641	27	0.3144	0.3408
	0.4342	0.4028		0.3869	0.3958		0.3481	0.3557		0.3028	0.3304
	0.4465	0.4071		0.4006	0.4044		0.3466	0.3411		0.3055	0.3177
	0.4373	0.3893		0.3950	0.3875		0.3568	0.3495		0.3160	0.3274
7	0.4221	0.3984	14	0.3783	0.3646	21	0.3496	0.3702	28	0.3160	0.3274
	0.4299	0.4165		0.3825	0.3798		0.3376	0.3616		0.3055	0.3177
	0.4430	0.4212		0.3950	0.3875		0.3370	0.3472		0.3081	0.3049
	0.4342	0.4028		0.3898	0.3716		0.3481	0.3557		0.3175	0.3139

**SMD LED**

**BL-LS5730A1S1UWC-0.5W**

**Package configuration & Internal circuit diagram**

**BL-LS5730A1S1 Series**



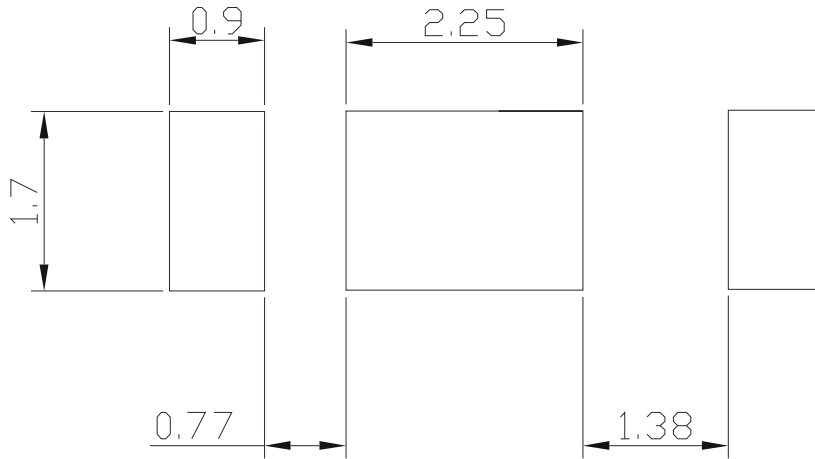
**Notes:**

1. All dimensions are in millimeters (inches)
2. Tolerance is  $\pm 0.25(0.01)$  unless otherwise noted.
3. Specifications are subject to change without notice.

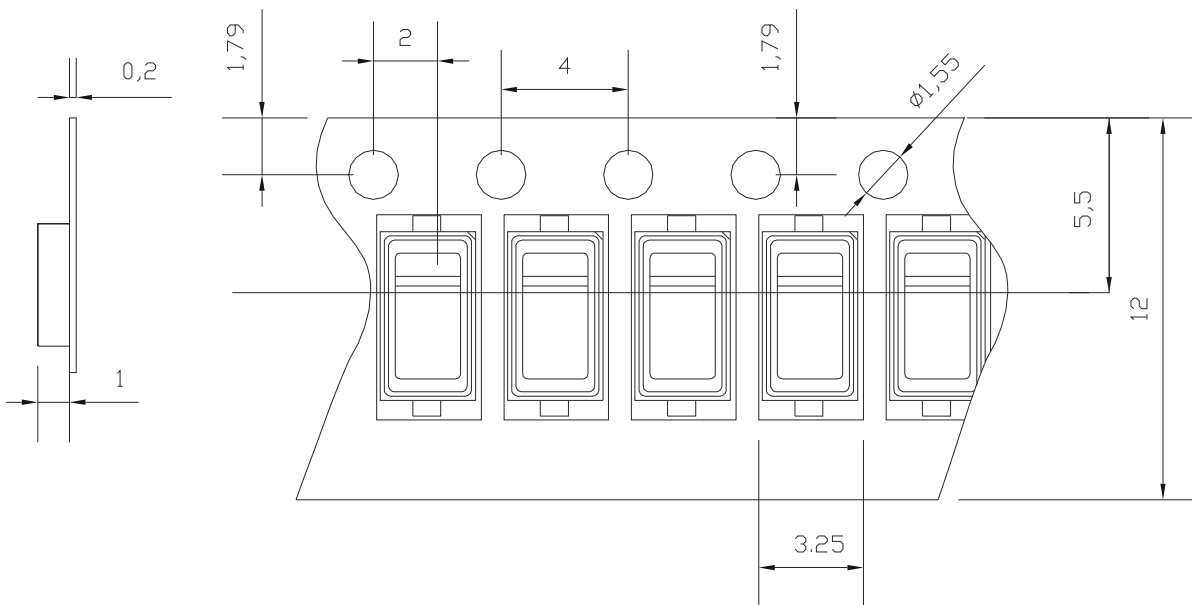
SMD LED

BL-LS5730A1S1UWC-0.5W

■ Recommended Soldering Pad Dimensions:



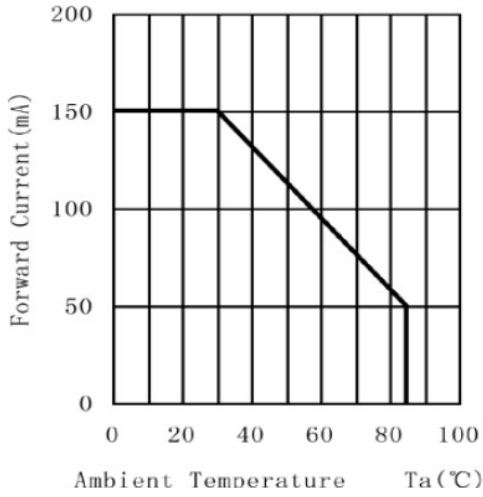
■ Tape Specifications



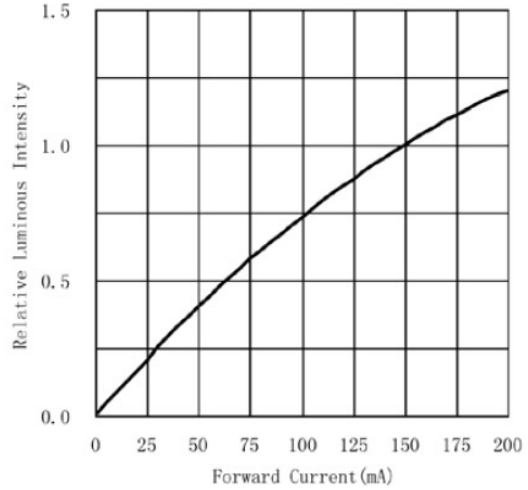
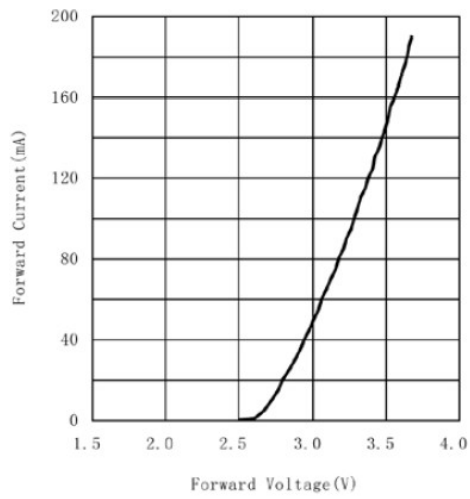
**SMD LED**

**BL-LS5730A1S1UWC-0.5W**

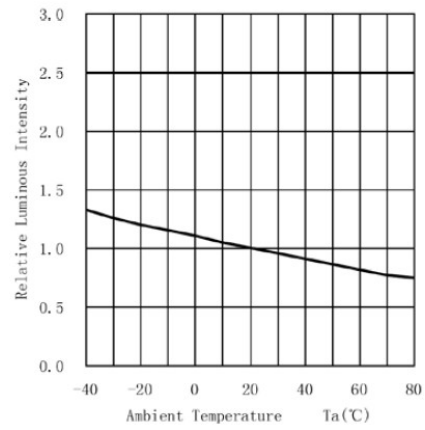
■ **Typical electrical-optical characteristics curves:**



Forward Voltage VS. Forward Current



Ambient Temperature VS. Relative Intensity



**SMD LED**

**BL-LS5730A1S1UWC-0.5W**

■ **Packing and weighting**

